

Other Career and Educational Opportunities



Florida Bright Futures Scholarship Program: *Florida Academics, Florida Medallion and The Gold Seal Endorsement Program.*

The Gold Seal Scholarship focuses on students who have performed well in career preparatory programs. It recognizes and rewards excellence for academic achievement and career preparation. Specific courses and/or course sequence is required to earn the FLGSBFS. See your Counselor or Career Specialist to learn more about earning this scholarship.



Career Pathways program is a high school technology program linked with a post-secondary program which may lead to a certificate program, associate's degree, and/or bachelor's degree. Through academics and technical studies, the student will build his/her competencies in communication, mathematics and science.



Dual Enrollment students may earn free college credits and high school credits their junior and/or senior year at SJRSC, DSC or SFC. Students must meet the criteria of a 3.0 UGPA and have a college placement score (CPT, SAT, ACT, or PERT) on file.



Career Dual Enrollment is available to students seeking an a CTC (Vocational Certificate) associated with their CTE program of study. You must have a 2.0 UGPA and college placement test scores (ACT, SAT CPT, or PERT) on file. Some courses have age requirements

FloridaShines

MyCareerShines
A service of FloridaShines



Putnam County
School District

On Course for a Successful Future

Putnam County School District

Department of Career and Technical Education
200 Reid Street
Palatka, FL 32177

Phone: 386-329-0536

Fax: 386-329-0535

www.putnamschools.org

The Putnam County School District prohibits any form of discrimination or harassment on the basis of race, religion, color, sex, marital status, age, national origin, genetic identity or disability in any of its programs.

Advanced Manufacturing Technology



Offered at
Interlachen High School
Palatka High School

PURPOSE

This program offers a sequence of courses that provides coherent and rigorous content aligned with challenging academic standards and relevant technical knowledge and skills needed to prepare for further education and careers in the manufacturing career cluster; provides technical skill proficiency, and includes competency-based applied learning that contributes to the academic knowledge, higher-order reasoning and problem solving skills, work attitudes, general employability skills, technical skills, and occupation-specific skills, and knowledge of all aspects of the manufacturing career cluster.

The content includes but is not limited to providing students with a foundation of knowledge in automation, application in manufacturing, engineering and robotics, and its effect upon our lives and the choosing of an occupation.

The program focuses on transferable skills and stresses understanding and demonstration of technological tools, machines, instruments, materials, processes and systems in business and industry.



Learn by doing.....

Course Sequence

OCP A

Advanced Manufacturing Technology 1

OCP B

Advanced Manufacturing Technology 2

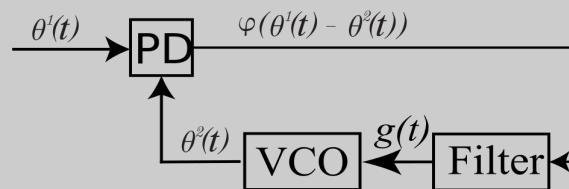
OCP C

Advanced Manufacturing Technology 3

OCP D

Advanced Manufacturing Technology 4

OCP E



Industry Certification Options

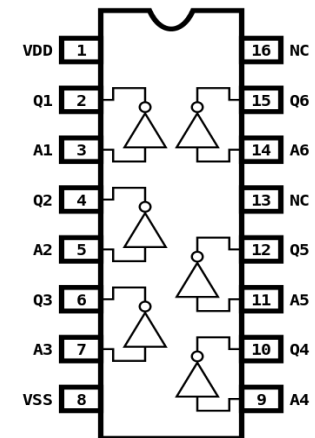
Certified Production
Technician (CPT)

*Related Technical Dual Enrollment
Courses that are offered by SJRSC are:*

*Fundamentals of Robotics
Programmable Logic Controllers 1
Programmable Logic Controllers 2
Robotics Applications*

Skills USA

Applied Welding Technologies students are encouraged to become actively involved in SkillsUSA career and technical organization to provide activities for students as an integral part of curriculum and skills needed to complete this program of study.



Career Opportunities

The goal of the CPT certification program is to raise the level of performance of production workers both to assist the individuals in finding higher-wage jobs and to help employers ensure their workforce increases the company's productivity and competitiveness.